

# Quick Installation Guide V1.0.0

## CAUTION

- Please make sure the mounting surface is strong enough to hold at least three times of the camera weight.
- Keep the protection film on the dome before installation and adjustment finished to avoid possible scratch.

## NOTE

For wooden mounting surface, expansion bolts are optional.

For the installation diagram and adjusting diagram of model A, see Figure 1-1 and Figure 1-2.

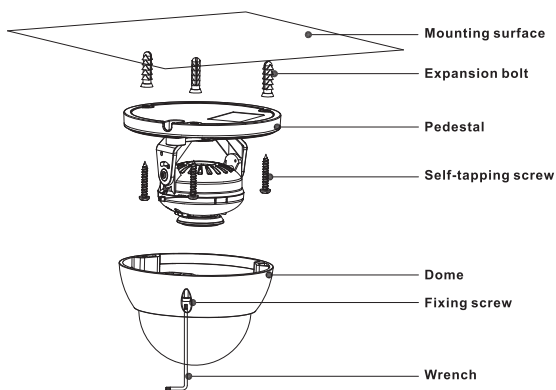


Figure 1-1

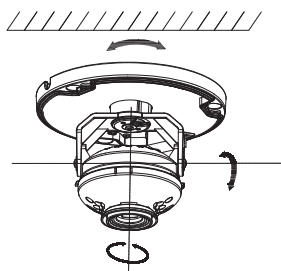


Figure 1-2

For the installation diagram and adjusting diagram of model B, see Figure 1-3 and Figure 1-4.

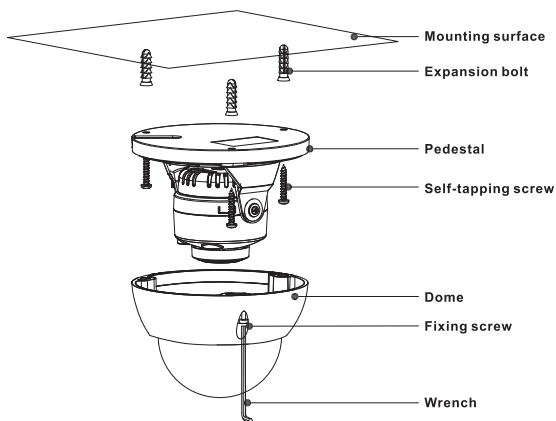


Figure 1-3

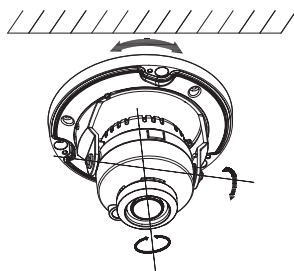


Figure 1-4

For the installation diagram and adjusting diagram of model C, see Figure 1-5 and Figure 1-6.

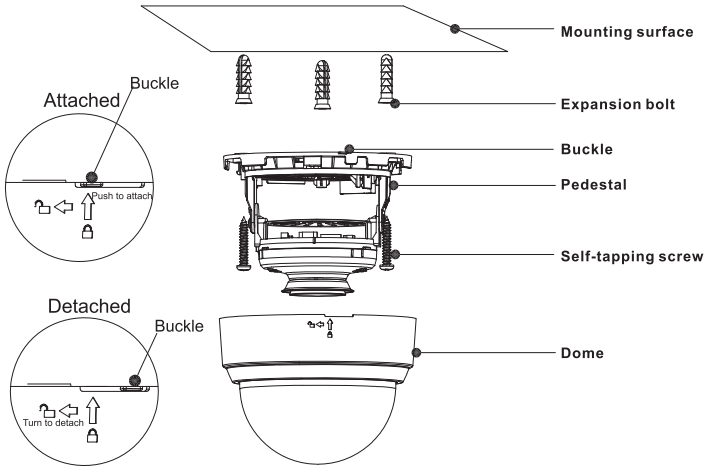


Figure 1-5

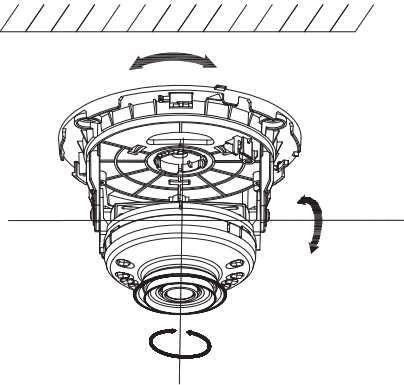


Figure 1-6

 **NOTE**

This manual is for reference only, for more information, please visit our website or contact the local service engineer.